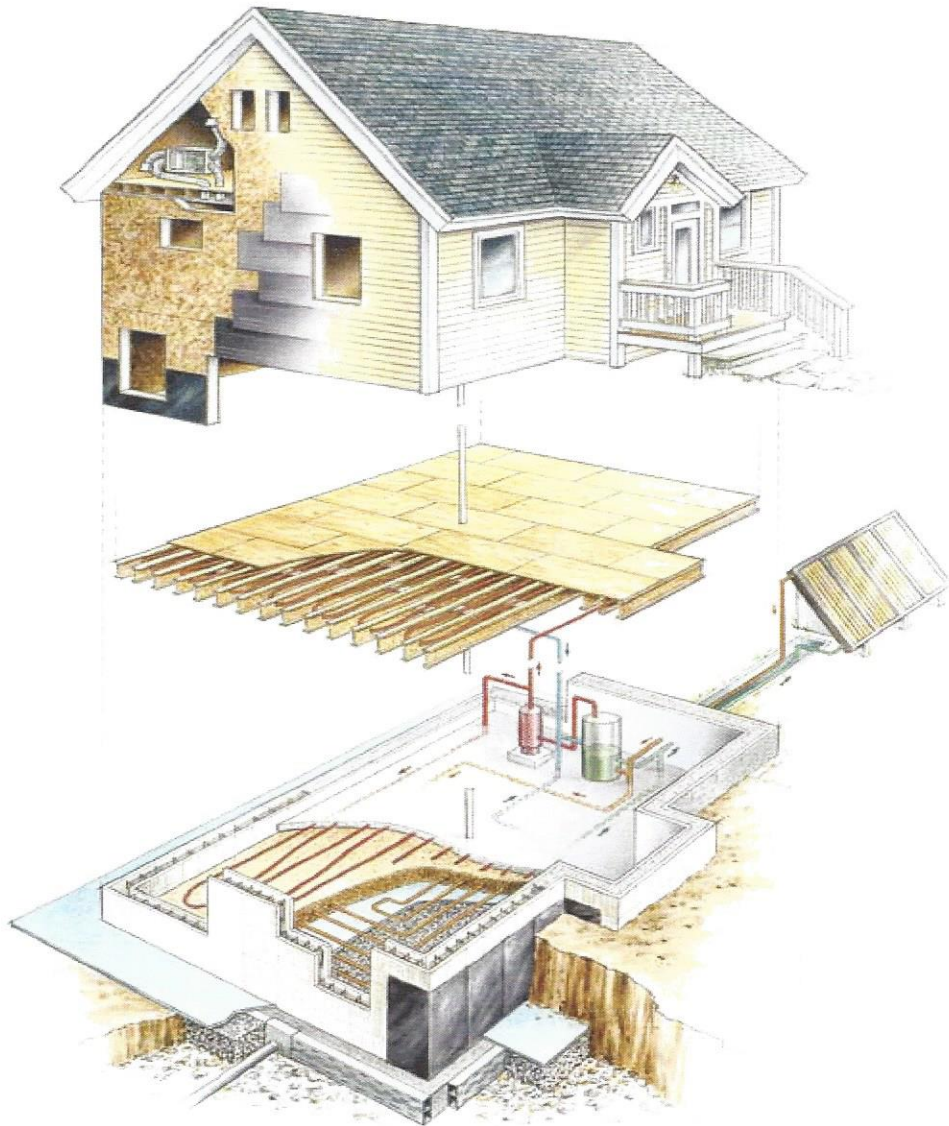


Anatomy of a Building



By



ONOFRIO CONSTRUCTION INC

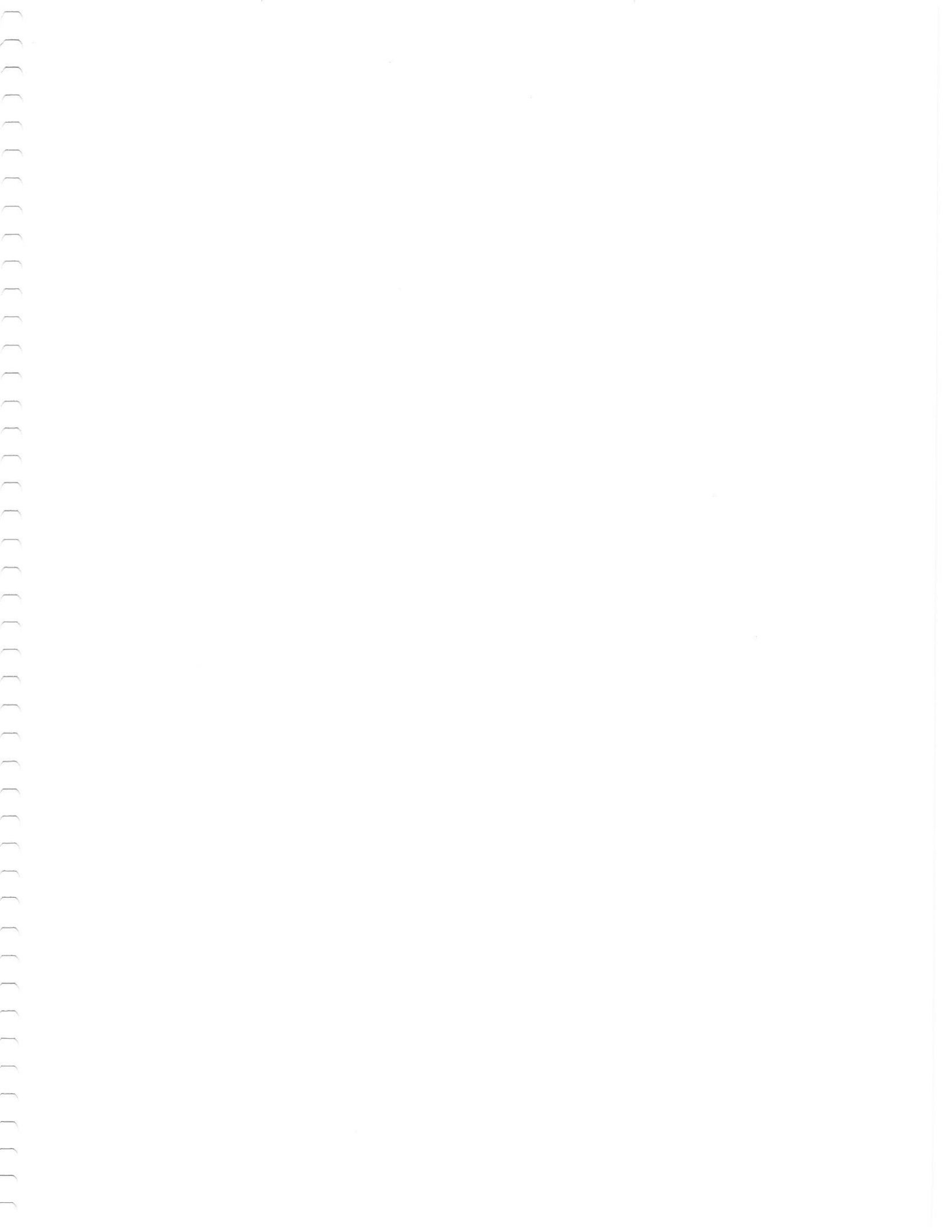
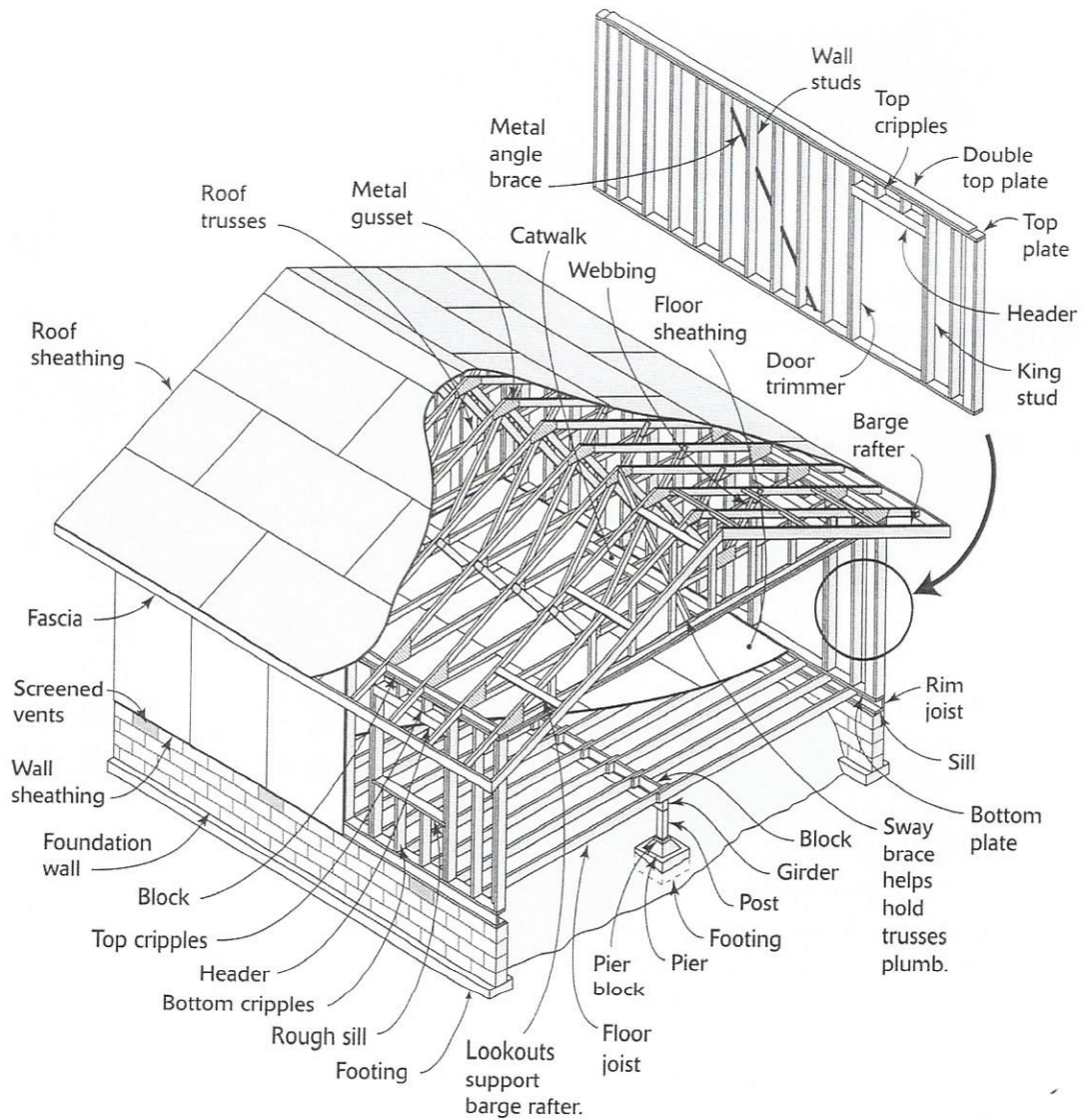


Table of Contents

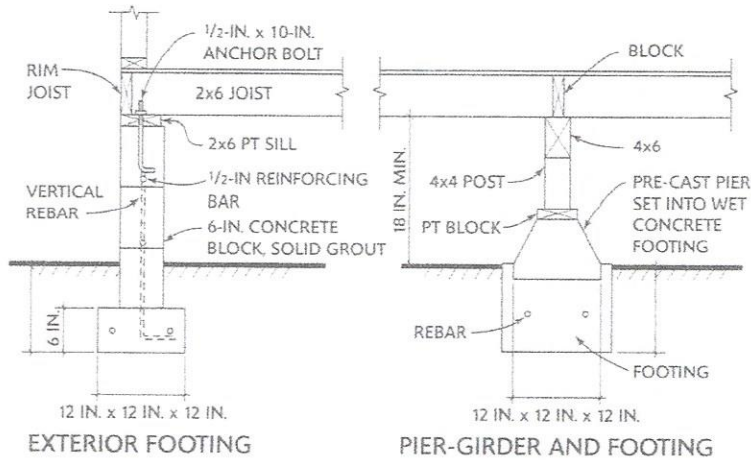
➤ Overview	Page 3
➤ Foundation	Page 4
➤ Framing	Pages 5 - 6
➤ Exterior	
○ Windows	Page 7
○ Doors	Page 7
○ Siding, Soffit, Fascia	Page 8
○ Brick Veneer	Page 9
➤ Roof	Page 9
➤ Decks	Page 10
➤ Gutters	Page 11
➤ Fence	Page 12

www.OnofrioConstruction.com

Overview

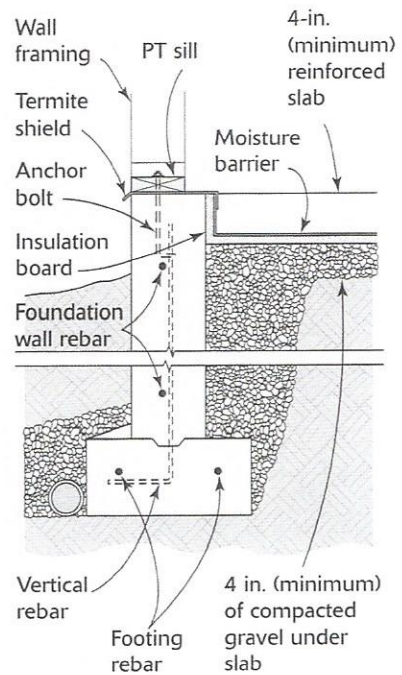
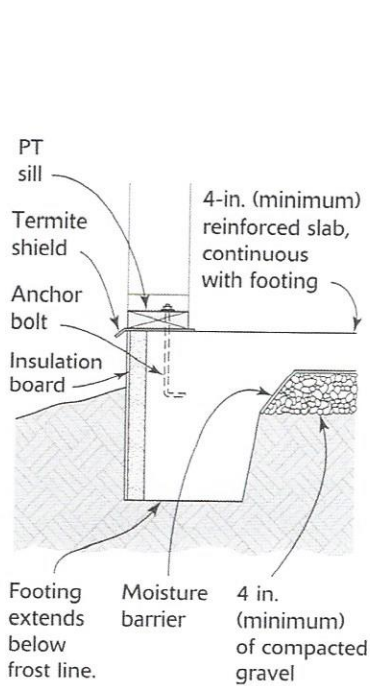


Foundation

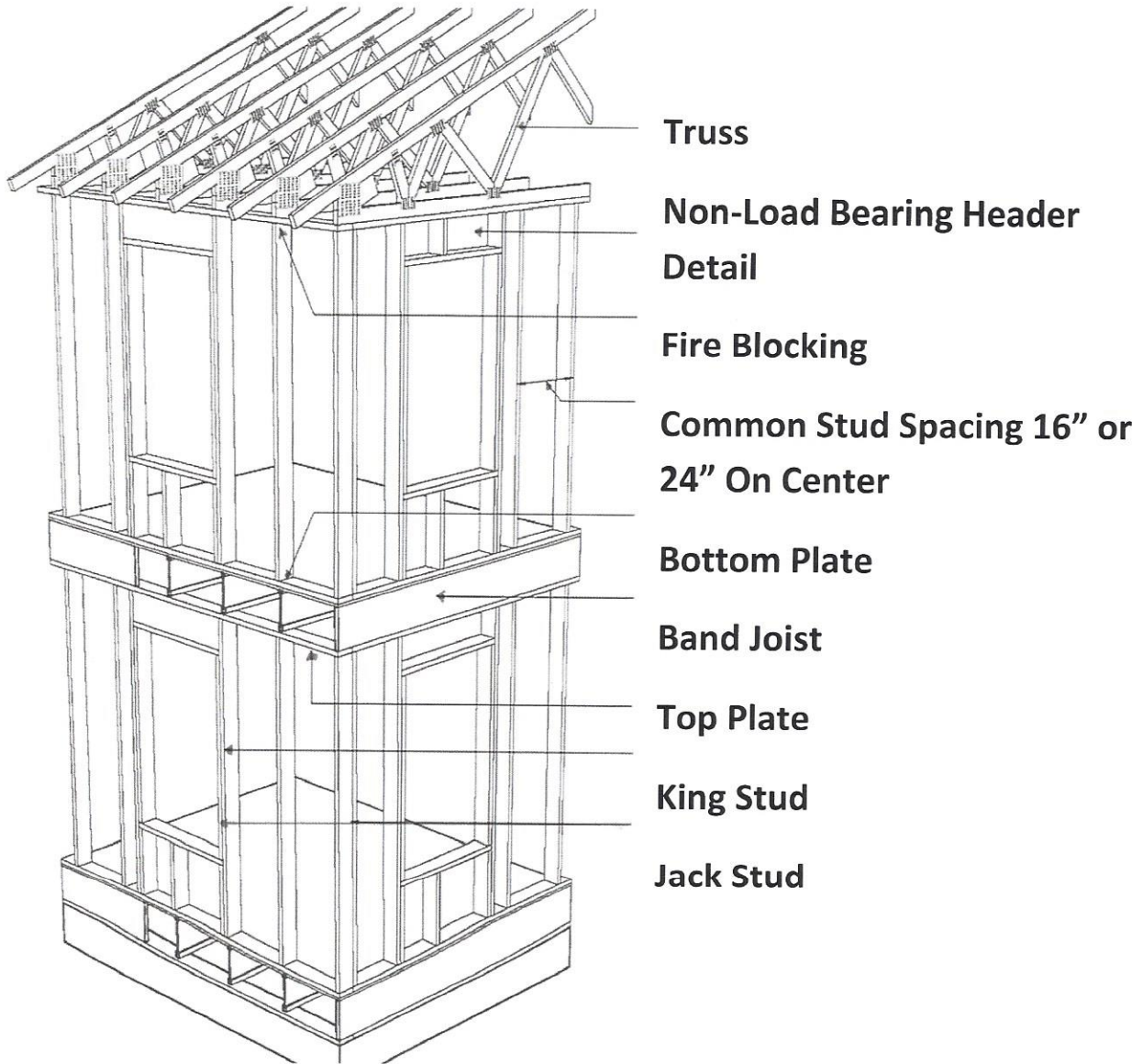


Slab with heavy turndown footing

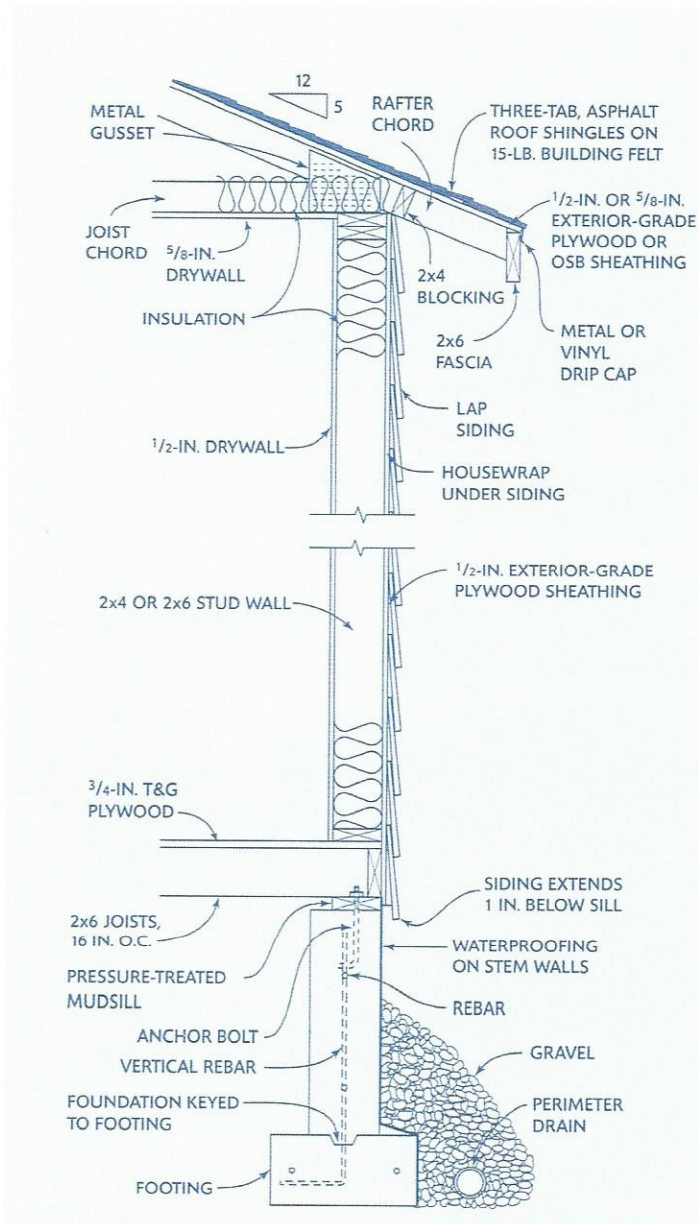
Slab with separate footing and stem wall



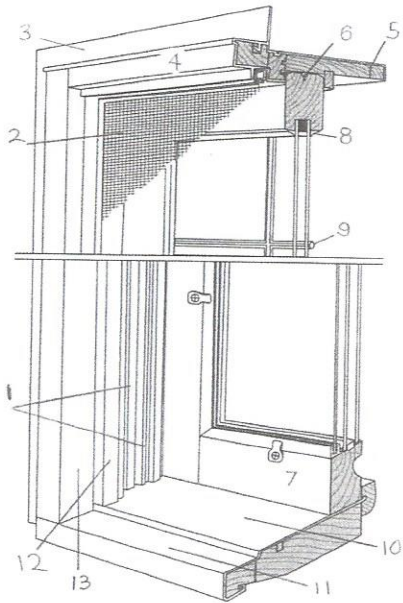
Framing



Wall Cross Section

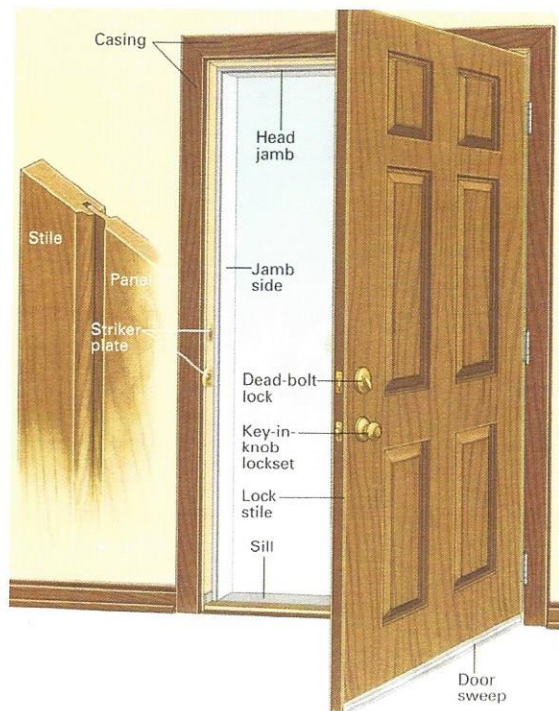


Exterior Window

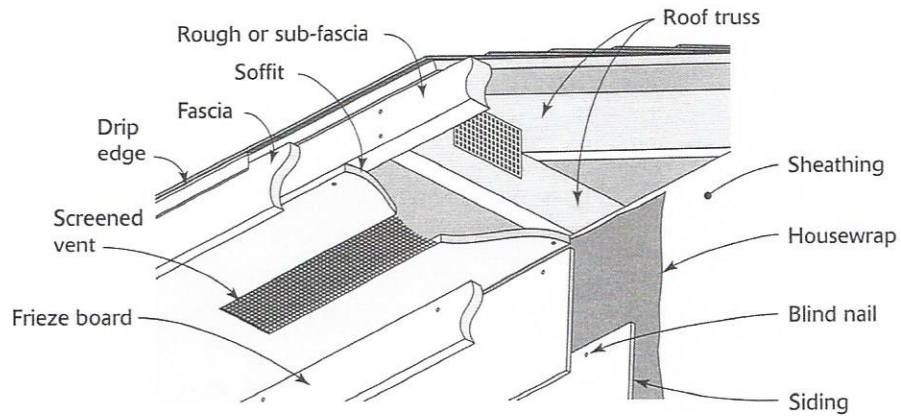


1. Tracks
2. Screen
3. Nail Fin (Vinyl Window)
4. Exterior Casing (vinyl)
5. Head Jamb
6. Weather Stripping
7. Sash
8. Glazing
9. Grids
10. Sill
11. Nosing
12. Blind Stop
13. Brick Moulding

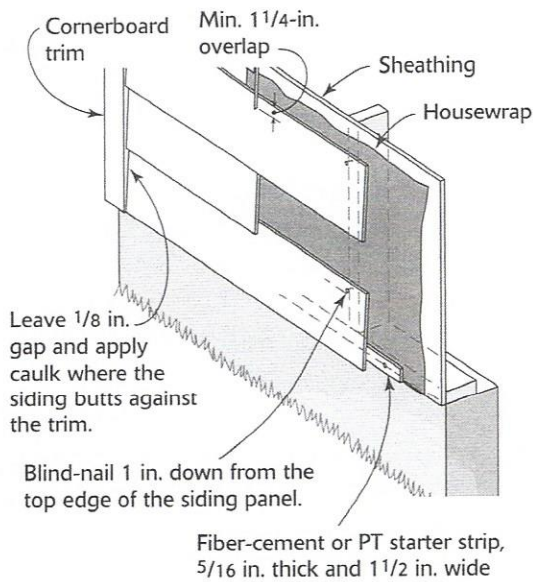
Door



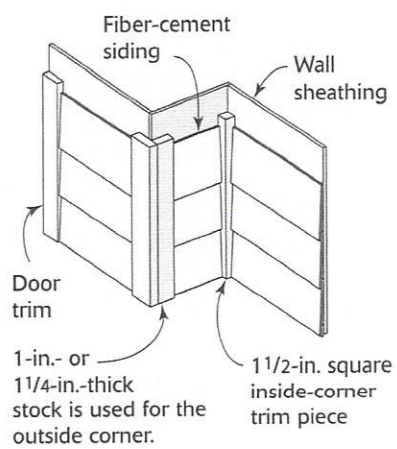
Siding, Soffit, Fascia



STARTER COURSE, CORNER, AND NAILING DETAILS

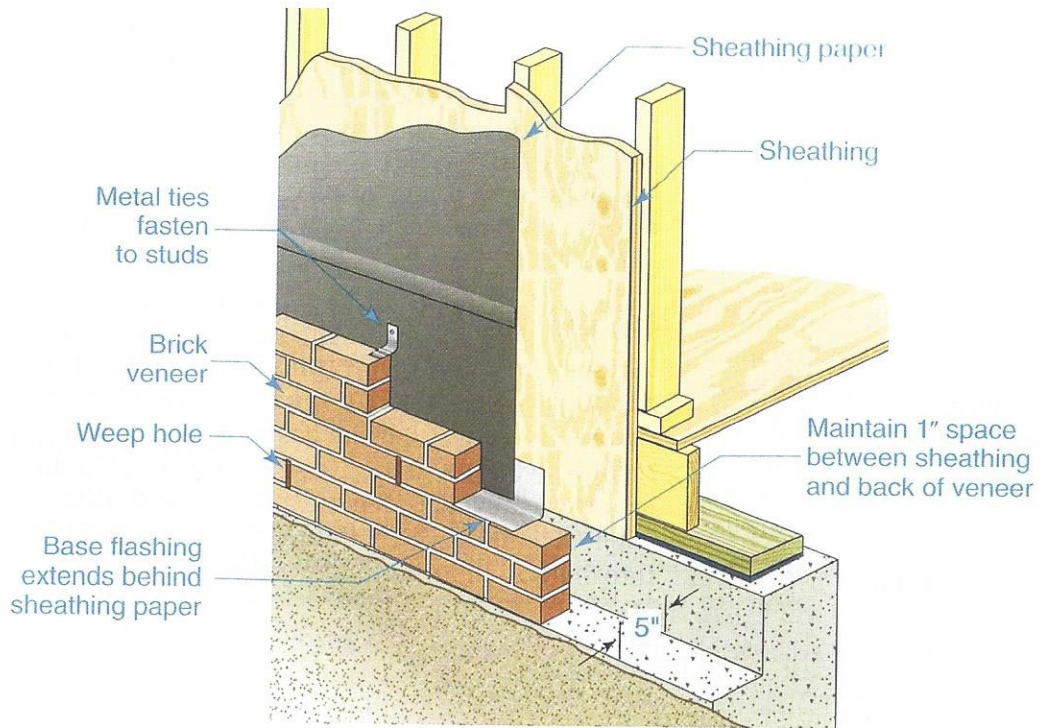


TYPICAL INSIDE AND OUTSIDE CORNER TRIM

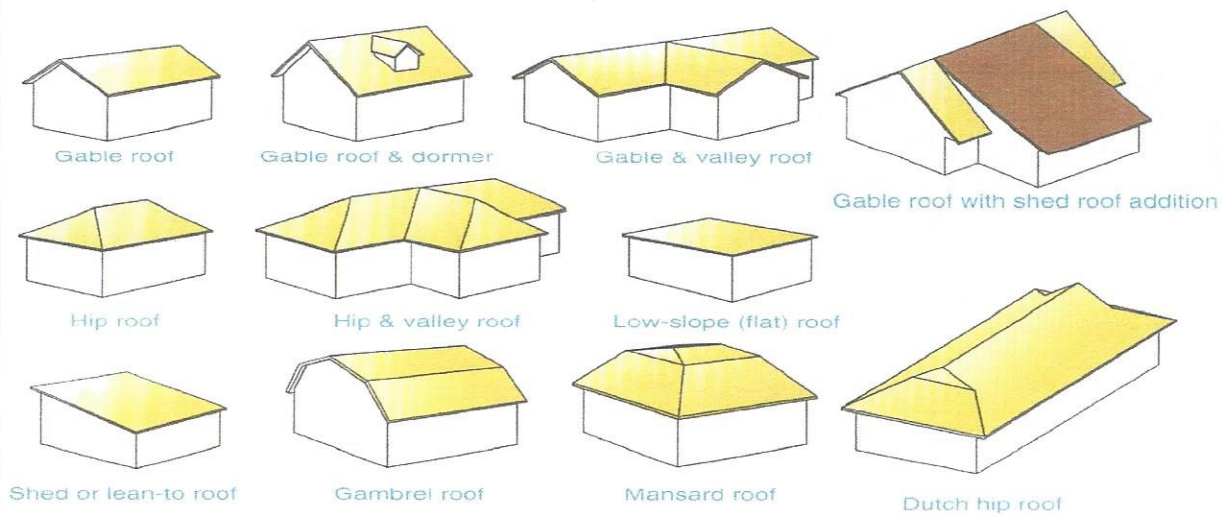


Fiber-cement siding often butts directly to trim pieces.

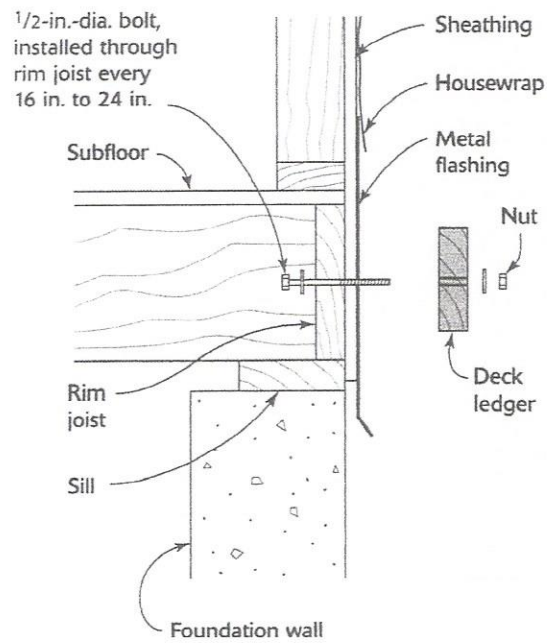
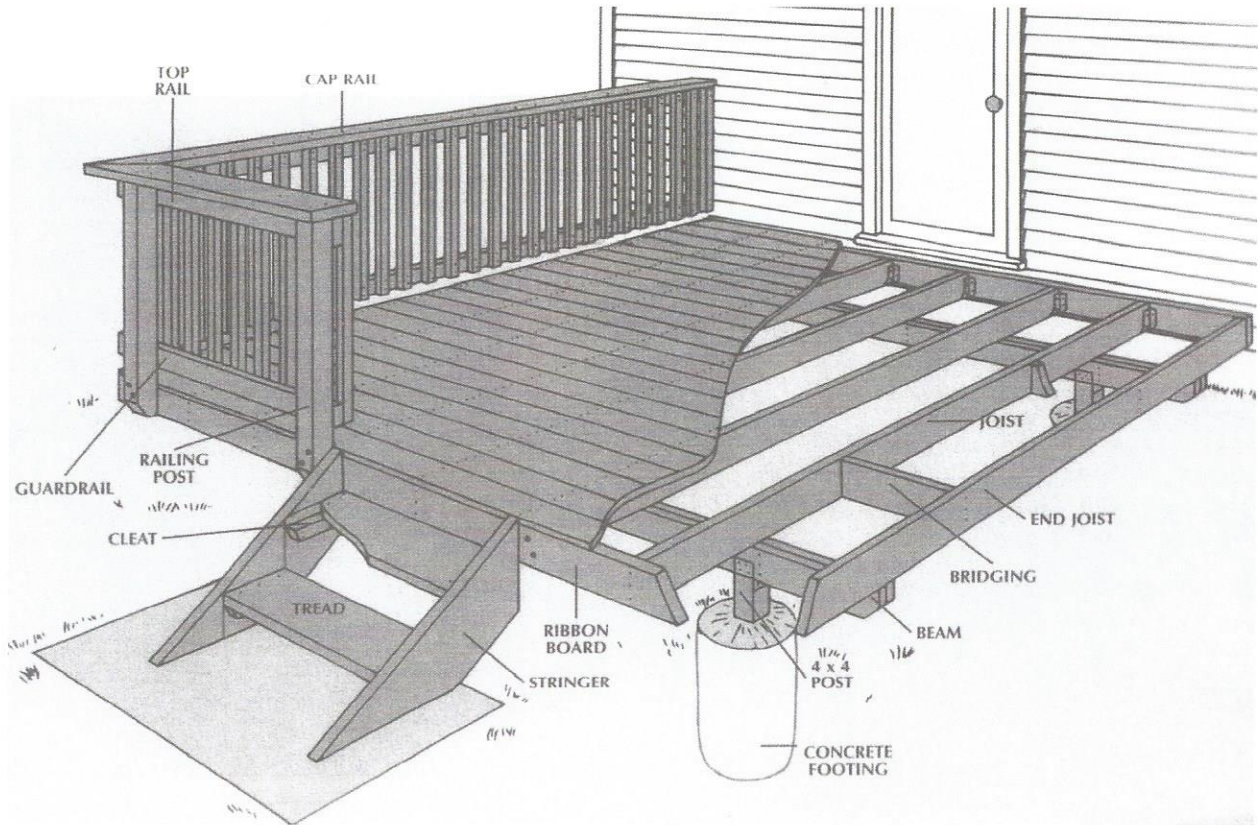
Brick Veneer



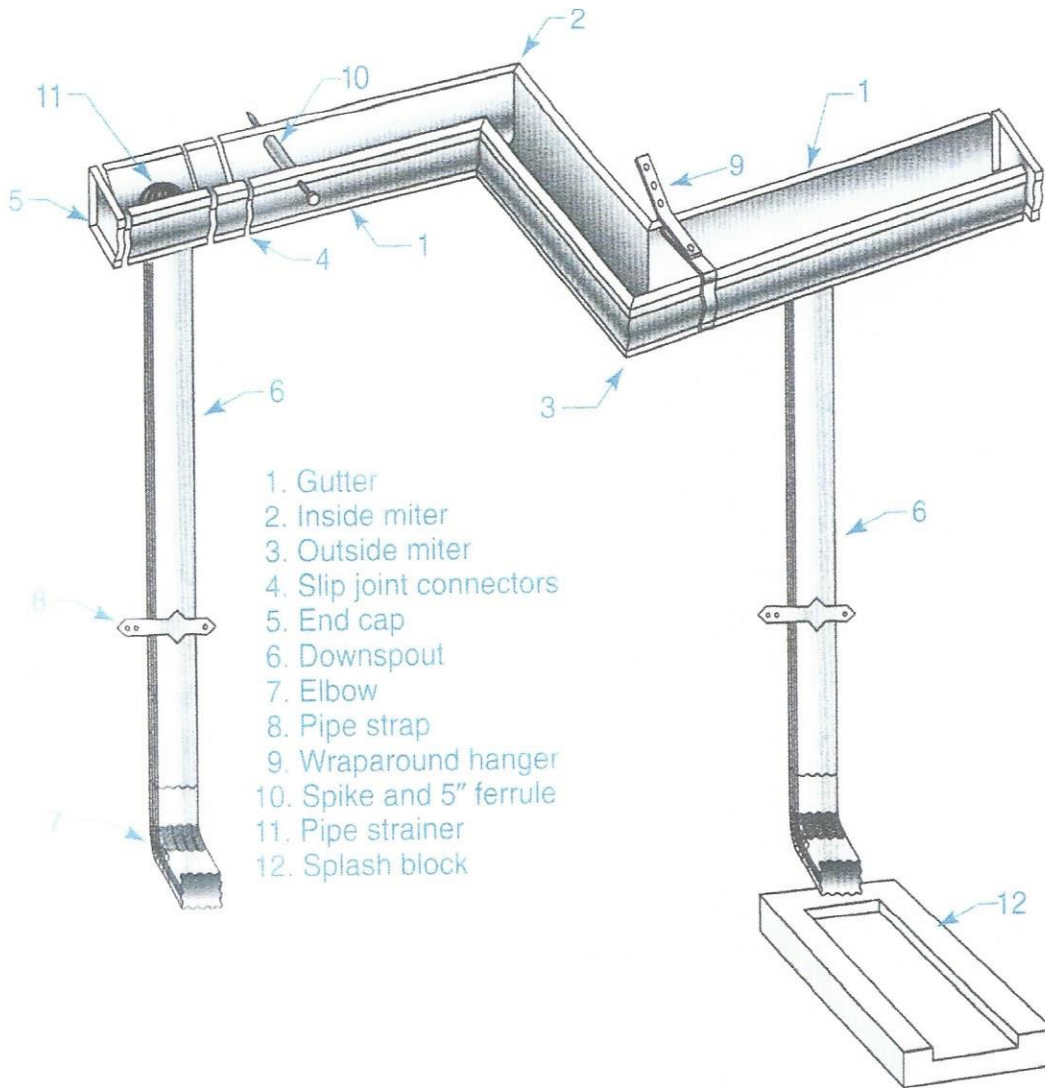
Roofs



Decks

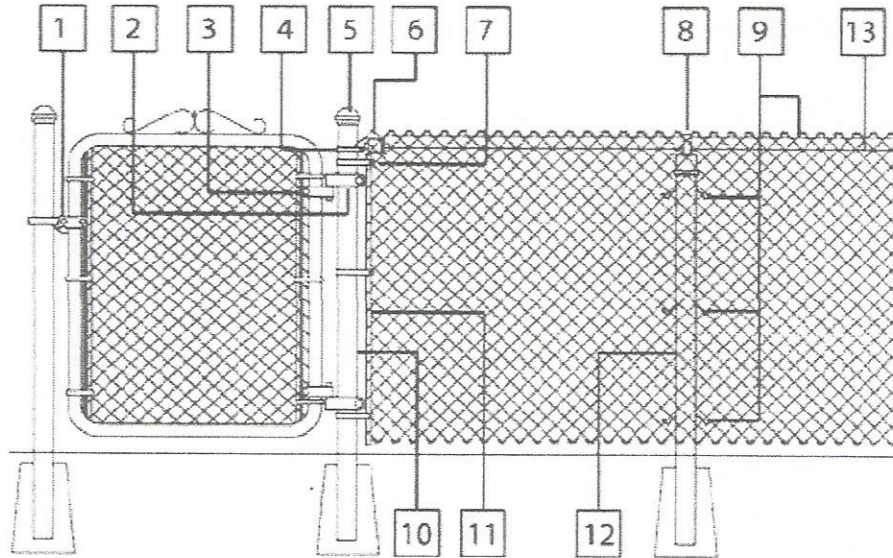


Gutters



Fence

Chain Link



1 – Gate Latch

2 – Male Hinge

3 – Female Hinge

4 – Rail End Band

5- Terminal Post Cap

6 – Rail End Cup

7 – Tension Band

8 – Line Post Cap

9 – Tie Wires

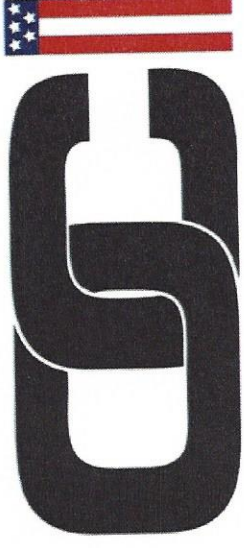
10 – Terminal Post

11 – Tension Bar

12 – Line Post

13 – Top Rail

Wood, metal, and vinyl fences have the same parts as a deck hand rail. They consist of posts, top - middle - bottom rails, and pickets



ONOFRIO CONSTRUCTION INC

Service Price List

8804 Gulf Ct. Raleigh, NC 27617

Service	Price	Min. Hours on Job
General Labor	\$45.00/hour	2 hours
Electrician	\$65.00/hour	2 hours
Plumber	\$65.00/hour	2 hours
Lift (Machine & Operator)	\$65.00/hour	3 hours
Emergency General Labor	\$65.00/hour	3 hours
Skid Steer/Mini Excavator	\$75.00/hour	5 hours

For More Information, Contact Us At:

Raleigh: 919-881-2112

Wilmington: 910-632-0233

Greensboro: 336-505-9599

Or visit our website:

www.OnofrioConstruction.com